

# Large Flat Screen Display Trolley / Stand

For more information please visit [www.btechavmounts.com/BT8503](http://www.btechavmounts.com/BT8503)

**BT8503**



## BT8503

### Large Flat Screen Trolley / Stand

**Designed for quick and easy installation  
for screens up to 50" (127cm) / 50kg (110lbs)**

- Fits screens with horizontal patterns up to 800mm (31.5")
- Fits all VESA® fixings up to:  
800 x 600mm (landscape screen orientation)  
800 x 400mm (portrait screen orientation)
- Mounts screen in landscape or portrait style
- Includes universal flat screen interface kit
- 1.8m Ø50mm poles supplied with 5 cable management holes
- Non marking 3" locking/braked castors included
- Also supplied with optional screw in levelling feet
- **Dimensions:**  
**W:** 1940mm (76.4")  
**D:** 782mm (30.8")  
**H:** 1120mm (44.1")
- Includes BT7057 pole rings
- Colours Available: Black



Mounts screen in landscape or portrait style



Tempered Glass Shelf and Bracket (2x BT7151 + BT7163) also available



Braked castors supplied

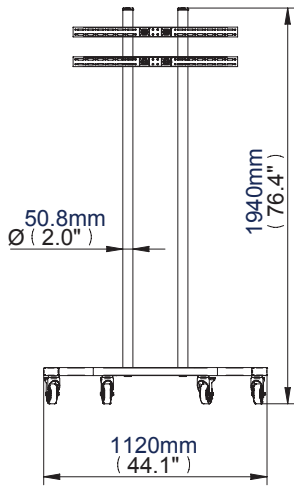


Levelling feet supplied

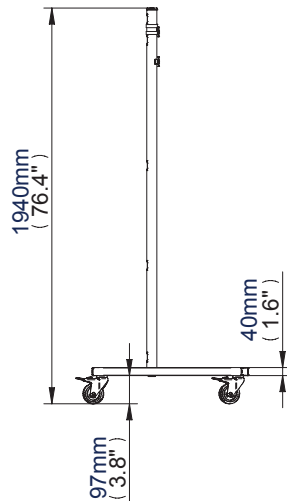
### Large Flat Screen Display Trolley

For more information please visit [www.btechavmounts.com/BT8503](http://www.btechavmounts.com/BT8503)

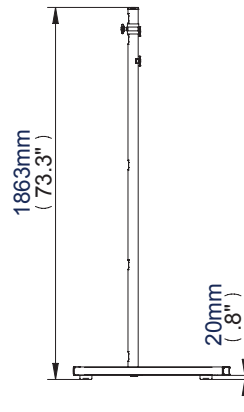
**BT8503**



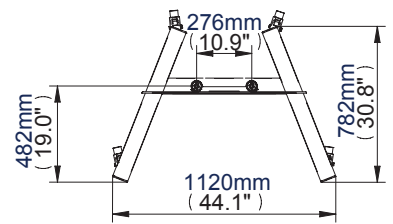
**Front View  
With Castors**



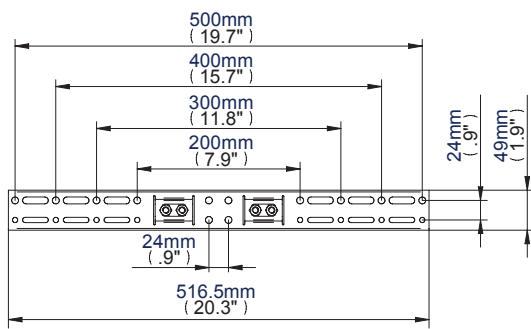
**Side View  
With Castors**



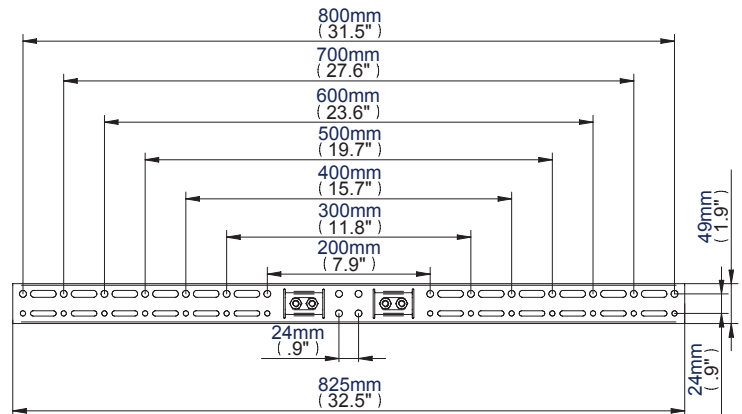
**Side View  
With Levelling Feet**



**Trolley Base**



**Small Interface Arm**



**Large Interface Arm**

Colour:	Order Ref:	EAN Code:	Master Carton Qty:	Inner Carton Qty:	Master Carton Weight:	Master Carton Cube:
Black	BT8503/B	Box 1: 10878724007875	0.5	0/0	16.45kg (36.19lbs)	2.64cbm (0.075cuft)
Black	BT8503/B	Box 2: 10878724007882	0.5	0/0	7.50kg (16.50lbs)	0.45cbm (0.013cuft)

*\*Please note: this product is packed into 2 boxes*

**This information is intended as a guide only and reflects the current specification at the time of print.**

**B-Tech accepts no liability for the accuracy of the information contained in this document.**