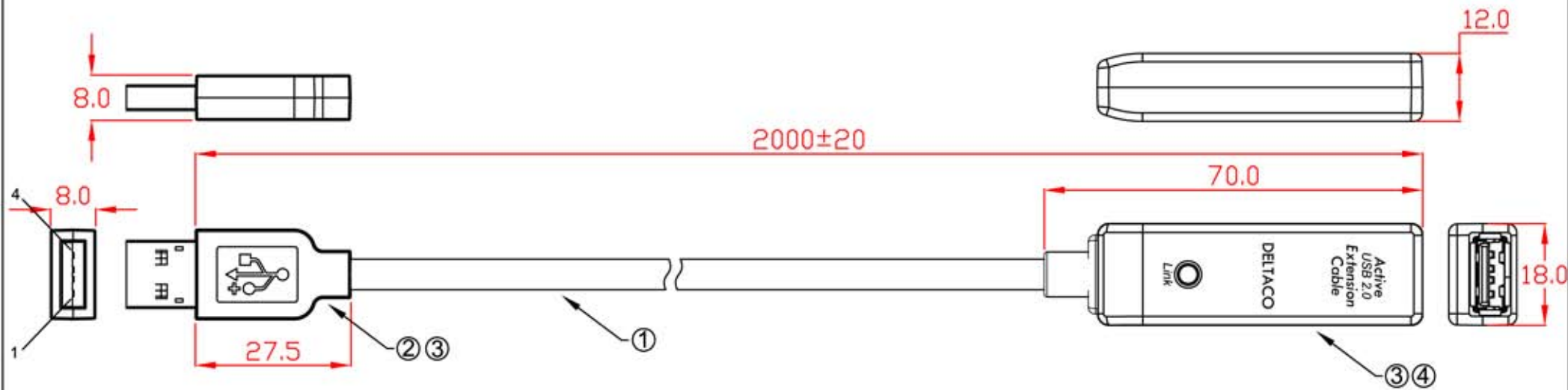
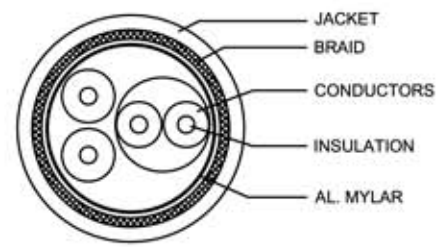


| REV. | Content | Date |
|------|---------|------------|
| 1.0 | Added | 2013/09/02 |



MATERIALS LIST:

1. CABLE:UL2725 (28AWG*1PR+AM)+24AWG*2C+AM+B
80% OD:5.4mm JACKET PVC COLOR:BLACK
2. CONNECTOR:USB 2.0 A/M 4P INSULATOR White SOLDER TYPE
PIN 30u" NICKEL PLATED SHELL
3. ABS COLOR:BLACK
4. CONNECTOR:USB 2.0 A/F 4P INSULATOR White SOLDER TYPE
PIN 30u" NICKEL PLATED SHELL



PIN OUT

| USB A(M) | | | | USB B(F) | |
|----------|---|-------|---|----------|---|
| 1 | — | RED | — | 1 | — |
| 2 | ⌘ | WHITE | ⌘ | 2 | — |
| 3 | ⌘ | GREEN | ⌘ | 3 | — |
| 4 | — | BLACK | — | GROUND | — |
| SHELL | — | BRAID | — | GROUND | — |

| 繪圖 DRAWN | 校核 CHECKED | 審定 APPROVED | 材質 MATERIAL | 單位 UNIT |
|-----------------|----------------|-------------|-------------|---------|
| | | | - | mm |
| 圖名 DRAWING NAME | 圖號 DRAWING NO. | 件號 PART NO. | 比例 SCALE | REV. |
| USB2-EX20M | | | 1 : 1 | 1.0 |

