



expanding experiences



PFW 2000 Series



PFW 2000 Series: Specifications

PFW 2020



- 19 – 43 inch
- Max. load: 16 kg
- Max. fitment: 200 x 200
- -10/+10 degree tilt
- 1 pivot point

PFW 2030



- 19 – 43 inch
- Max. load: 16 kg
- Max. fitment: 200 x 200
- -10/+10 degree tilt
- 2 pivot points

PFW 2040



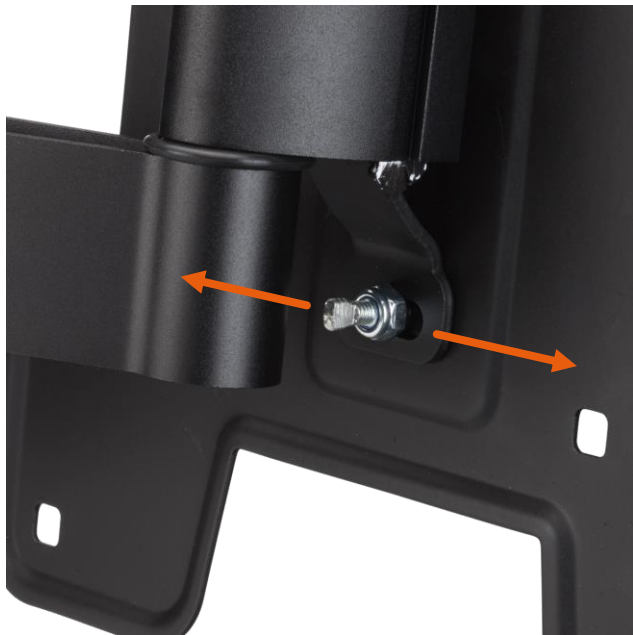
- 19 – 43 inch
- Max. load: 16 kg
- Max. fitment: 200 x 200
- -10/+10 degree tilt
- 3 pivot points



PFW 2000 Series features:

Post-installation levelling

For a perfect levelled display



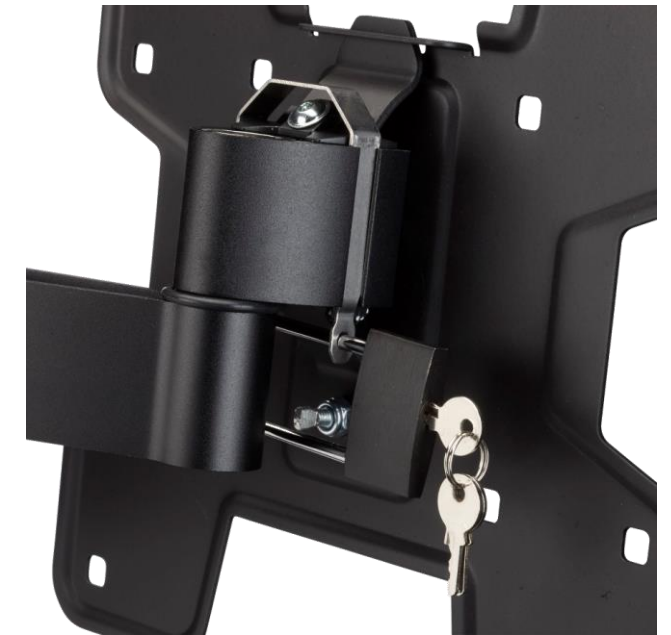
-10/+10 degrees of smooth tilt

Continuous tilt with the tilt arch.
Friction can be increased to lock tilt.



Theft delaying - padlock

For maximum security





PFW 2000 Series: Key features

- Designed for 19" to 43" screens up to 16 kg
- Post-installation levelling
- Theft-delaying padlock
- -10/+10 degrees of smooth tilt, with tilt lock screw
- TÜV certified



PFW 3000 Series



PFW 3000 Series: Specifications

PFW 3030



- 32 – 55 inch
- Max. load: 35 kg
- Max. fitment: 400 x 400
- -15/+10 degree tilt
- 2 pivot points

PFW 3040



- 32 – 55 inch
- Max. load: 35 kg
- Max. fitment: 400 x 400
- -15/+10 degree tilt
- 3 pivot points



PFW 3000 Series features: Post-installation levelling

Post-installation levelling

For a perfect levelled display



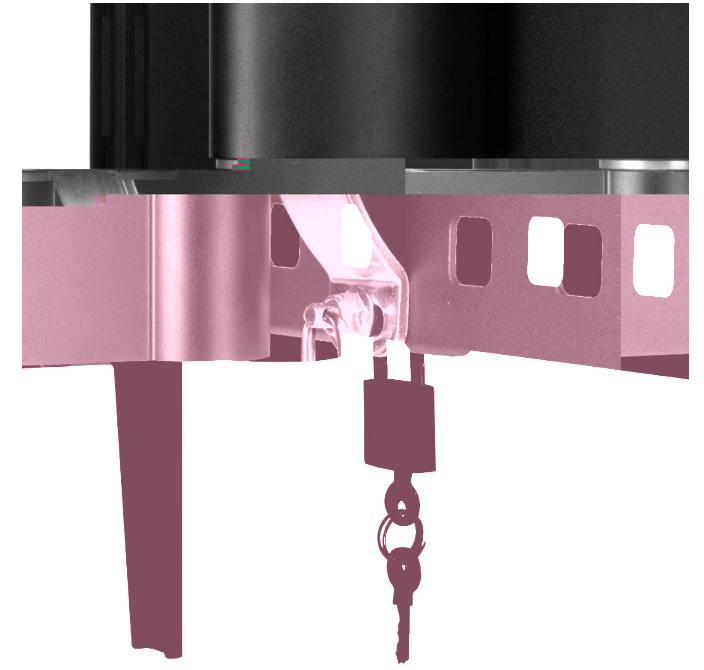
-15/+10 degrees of smooth tilt

Continuous tilt with the tilt arch.
Friction can be increased to lock tilt.



Theft delaying - padlock

For maximum security





PFW 3000 Series: Key features

- Designed for 32" to 55" screens up to 35 kg
- Post-installation levelling
- Theft-delaying padlock
- -15/+10 degrees of smooth tilt, with accessible tilt lock screw
- TÜV certified