



expanding experiences



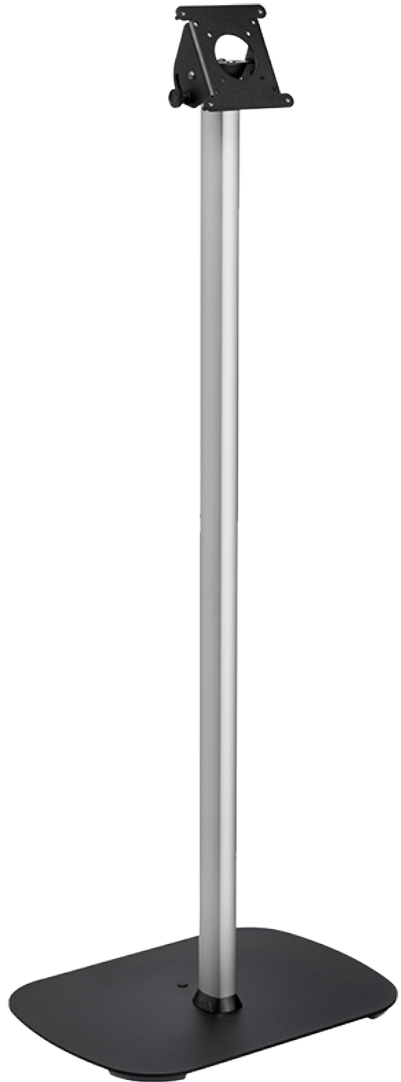
PTA 310x

Secure tablet & display stands





Secure tablet and display stands



PTA 3101



PTA 3102



PTA 3103



PTA 3105

Key benefits

Floor/table stand can be secured to floor/table

Theft delaying screws

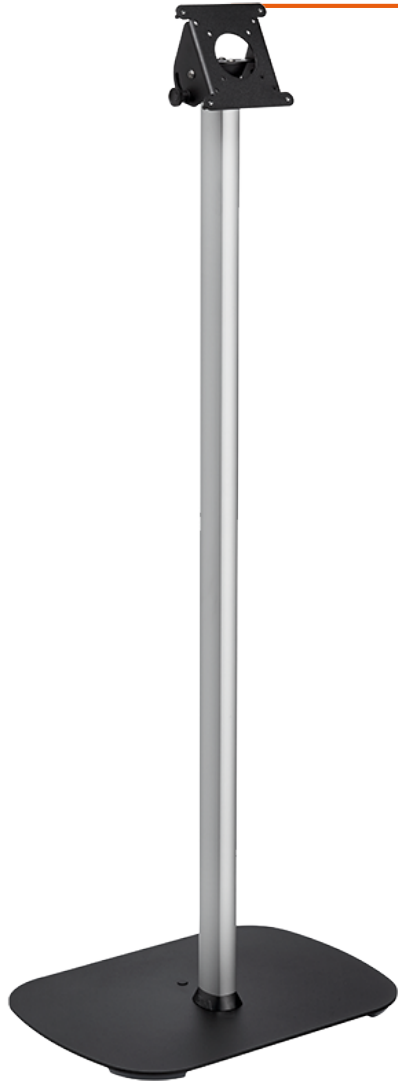
Cable management

Suitable for tablets and small interactive displays

- Fitment: 50x50, 75x75 & 100x100
- Tilt angle: 0 – 90°
- Height: 30 – 100 cm
- Max. weight: 3 kg



Secure tablet and display stands



PTA 3101



PTA 3102



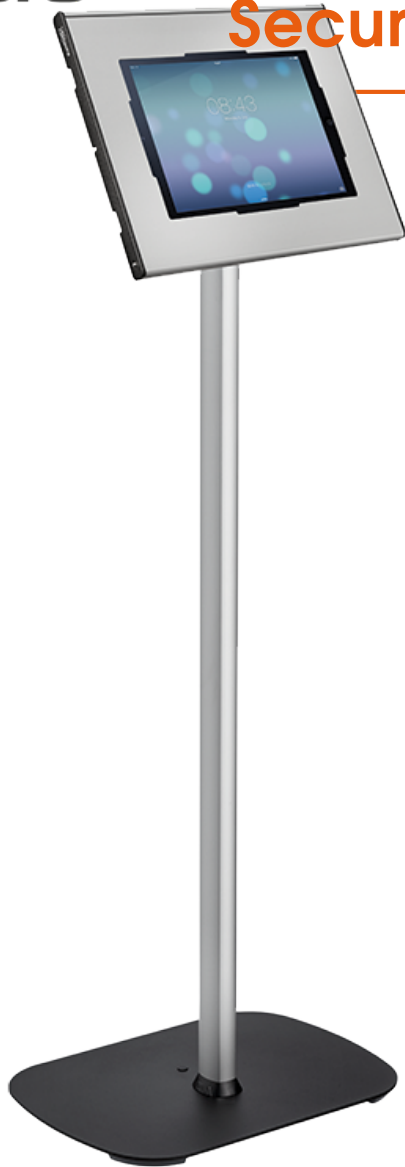
PTA 3103



PTA 3105



Secure tablet and display stands



PTA 3101



PTA 3102



PTA 3103



PTA 3105

PTA 3101 – Floor stand



Key benefits

Floor stand can be secured to the floor

Theft delaying screws

Cable management

Suitable for tablets and small interactive displays

- Fitment: 50x50, 75x75 & 100x100
- Tilt angle: 0 – 90°
- Height: 100 cm
- Max. weight: 3 kg

PTA 3102 – Table stand



Key benefits

Table stand mounted to the table

Theft delaying screws

Cable management

Suitable for tablets small interactive displays

- Fitment: 50x50, 75x75 & 100x100
- Tilt angle: 0 – 90°
- Height: 30 cm
- Max. weight: 3 kg

PTA 3103 – Wall mount



Key benefits

Can be mounted to walls and tables

Suitable for tablets and small interactive displays

- Fitment: 50x50, 75x75 & 100x100
- Tilt angle: 28°
- Max. weight: 3 kg

PTA 3105 – Table stand



Key benefits


Theft delaying screws

Cable management

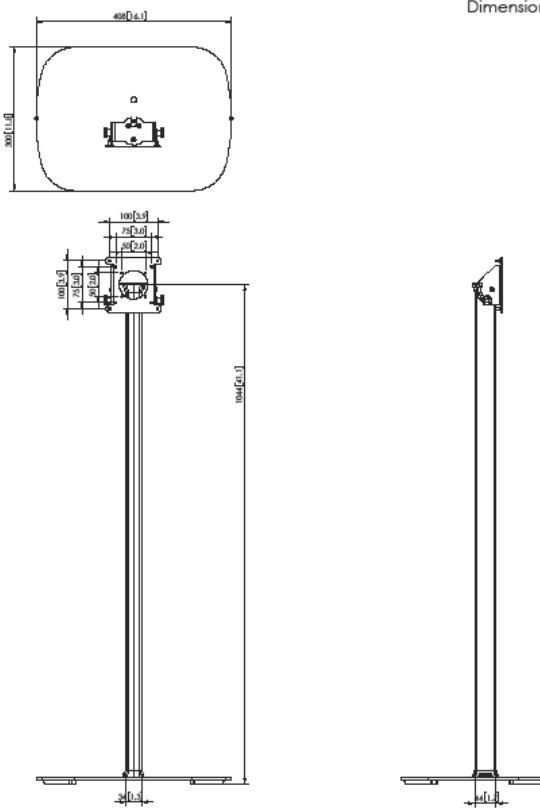
Suitable for tablets and small interactive displays

- Fitment: 50x50, 75x75 & 100x100
- Tilt angle: 0 – 90°
- Height: 30 cm
- Max. weight: 3 kg

PTA 3101 – Product data sheet


expanding experiences

Product data sheet
PTA 3101
Dimensions in mm [inch]



The technical drawing includes three views of the PTA 3101 product:

- Top View:** Shows a rectangular base with rounded corners. Dimensions include a width of 400 [15.7] mm and a height of 300 [11.8] mm. A central circular feature is labeled 'D'.
- Front View:** Shows the product's profile. The total height is 1000 [39.4] mm. The base width is 400 [15.7] mm. The top section has a width of 100 [3.9] mm and a height of 25 [0.98] mm. Other dimensions for the top section include 25 [0.98] mm, 25 [0.98] mm, and 25 [0.98] mm.
- Side View:** Shows the product's profile from the side, highlighting its thin profile and the base width of 400 [15.7] mm.

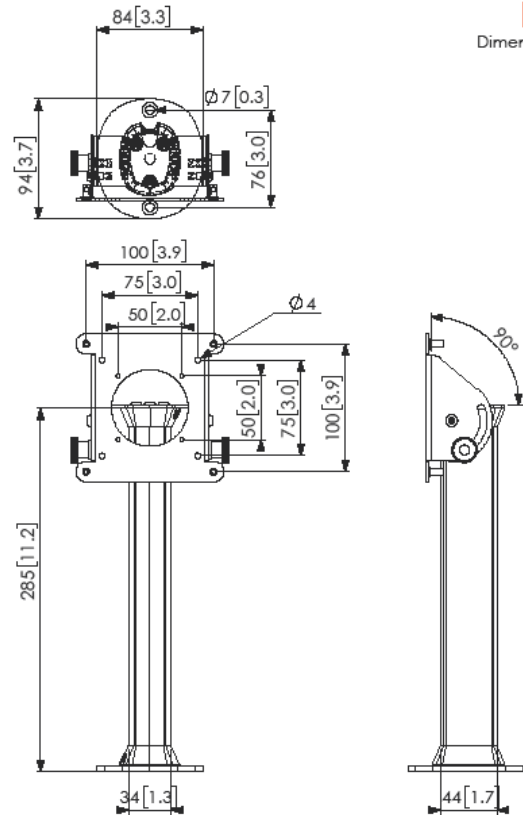
Note: This document and specifications herein are confidential and the exclusive property of Vogel's Products Inc. Neither the design nor any information contained in this drawing may be reproduced or disclosed to others without written consent of Vogel's Products Inc. The design and information will not be reproduced, copied or used, either in part or in its entirety, on the basis for the manufacture or sale of items without written permission.
Warning: Please study all instructions and illustrations carefully before installation.
Information in this document is subject to change without further notice.

Product data sheet

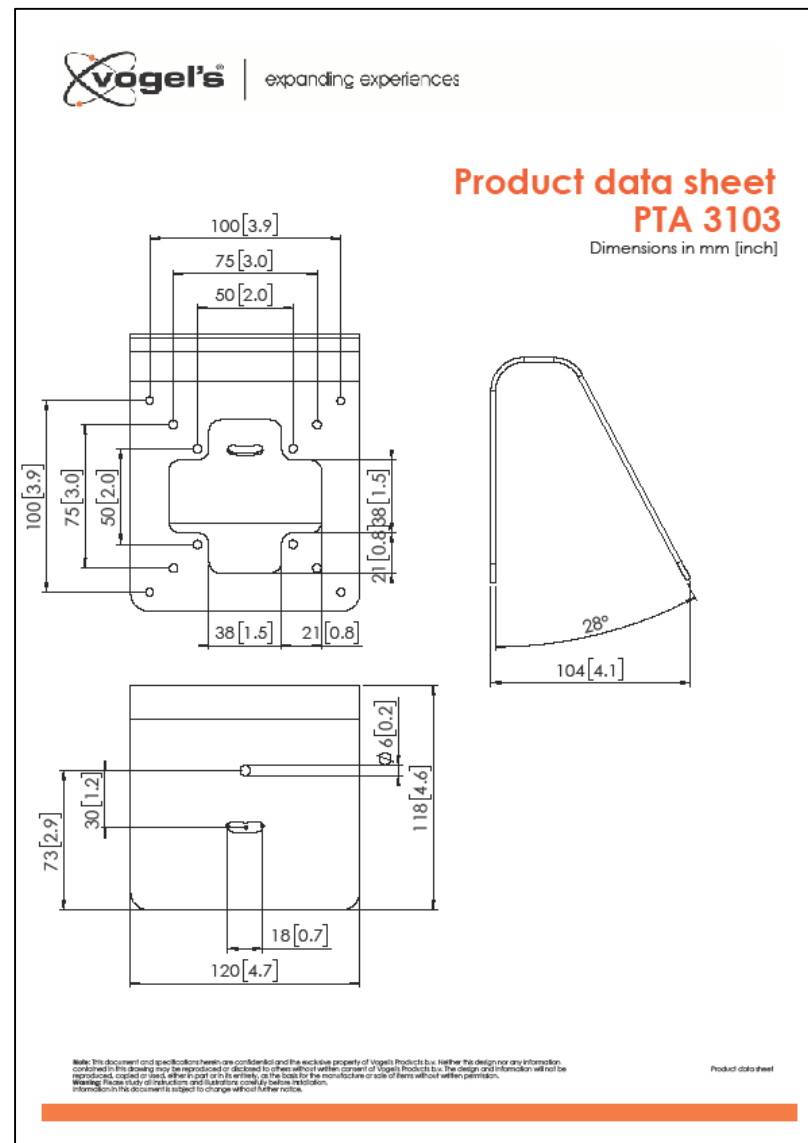
PTA 3102 – Product data sheet

Product data sheet PTA 3102

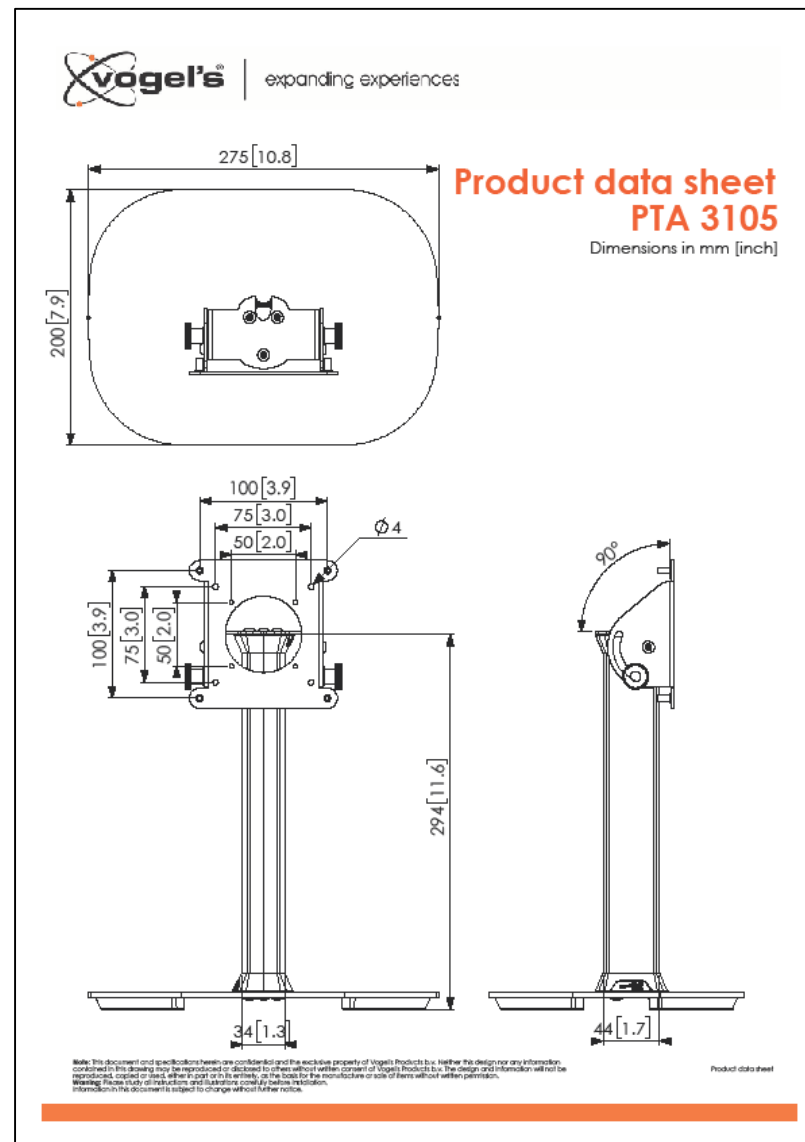
Dimensions in mm [inch]





PTA 3103 – Product data sheet



PTA 3105 – Product data sheet






PTA 3101 PTA 3102 PTA 3105

Mounting instructions
Montagevoorschrift
Instructions de montage
Montageanleitung
Guía de montaje
Istruzioni di montaggio
Instruções de montagem
Monteringsanvisning
Instrukcja montażu
Рекомендации по установке

Max. 3 kg / 6.6 lbs

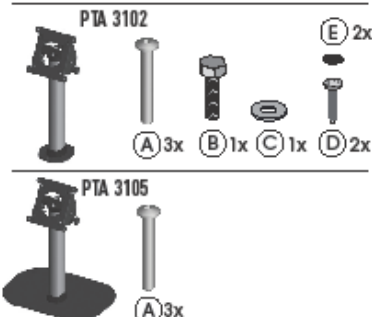



PTA 3101




A 3x G 1x

PTA 3102



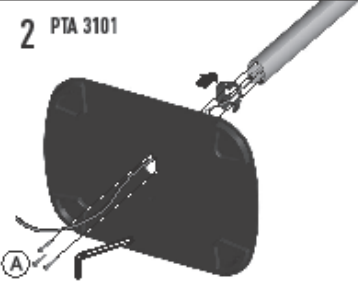
A 3x B 1x C 1x D 2x E 2x

PTA 3105



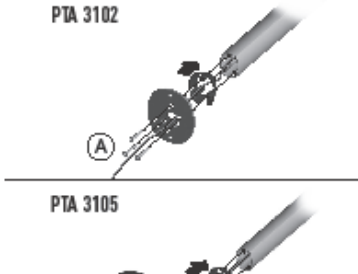
A 3x

2 PTA 3101



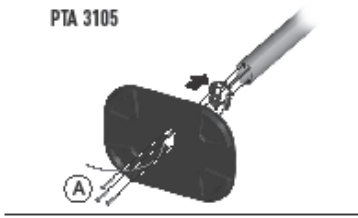
A

PTA 3102



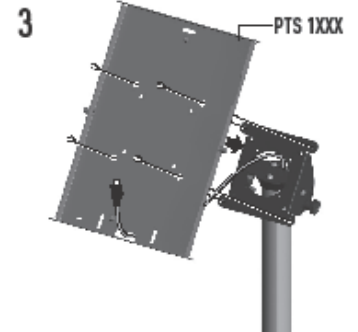
A

PTA 3105




A

3




PTS 1XXX

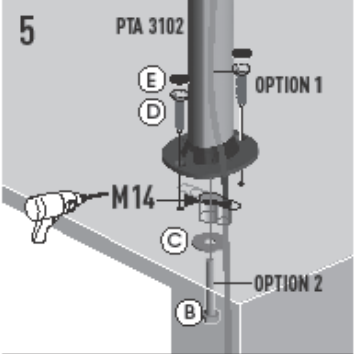
4



4a

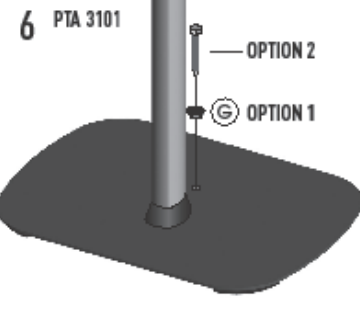


5



PTA 3102
 OPTION 1
 E
 D
 M14
 C
 OPTION 2
 B

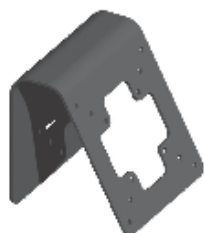
6 PTA 3101



OPTION 2
 G OPTION 1

(G) Subject to printing errors and technical amendments.
 (N) Drukfouten en technische wijzigingen voorbehouden.
 (F) Sous réserve de fautes d'impression et de modifications techniques.
 (D) Für Druckfehler, Übersetzungen und technische Änderungen vorbehalten.
 (E) Reservados errores de impresión y ajuste a modificaciones.
 (I) Con riserva di modifiche tecniche e di eventuali errori di stampa.
 (P) Reservados a ocorrência de falhas e de modificações técnicas.
 (N) Myöskäänkin teknisiä muutoksia ja mahdollisia painovirheitä.
 (R) Zastrzeżenie od błędów wydruku i ewentualnych zmian technicznych.
 (B) Saizone oqarben qri anexo a remissione scopulugue.

More information on: www.vogels.com
 VOGELS PRODUCTS BV, HINDENBURGLAAN 93, 5428 DB GRIECHOVEN, THE NETHERLANDS



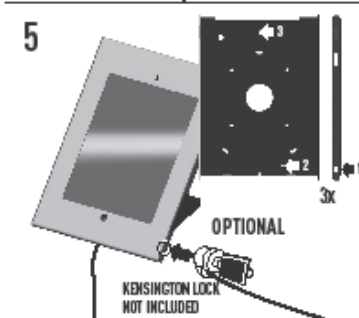
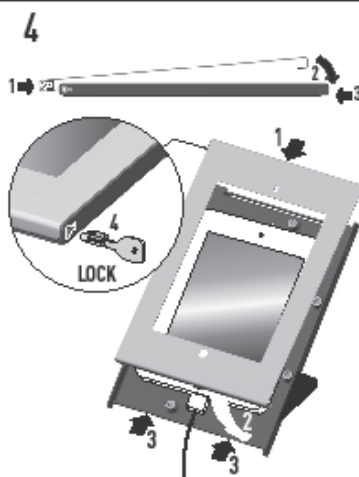
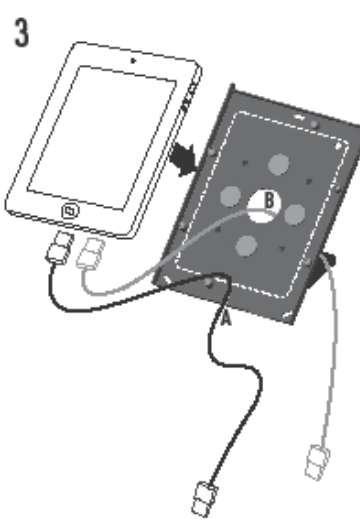
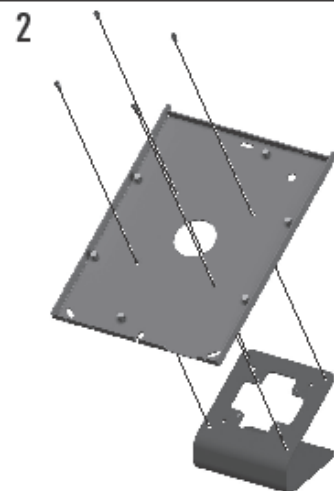
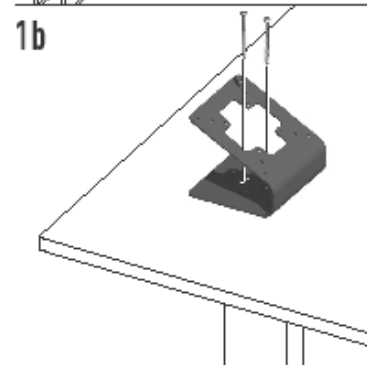
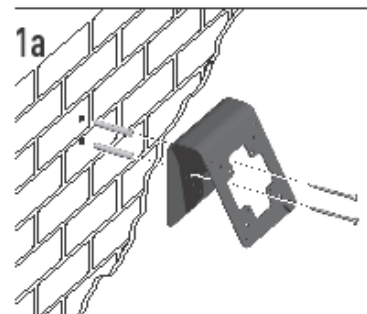
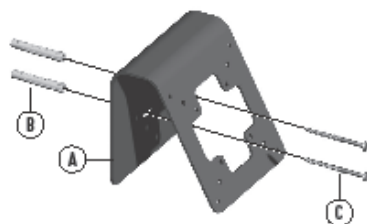
PTA 3103

Mounting instructions

Montagevoorschrift
 Instructions de montage
 Montageanleitung
 Guía de montaje
 Istruzioni di montaggio
 Instruções de montagem
 Monteringsanvisning
 Instrukcja montażu
 Рекомендации по установке



(A) = 1x (B) = 2x (C) = 2x



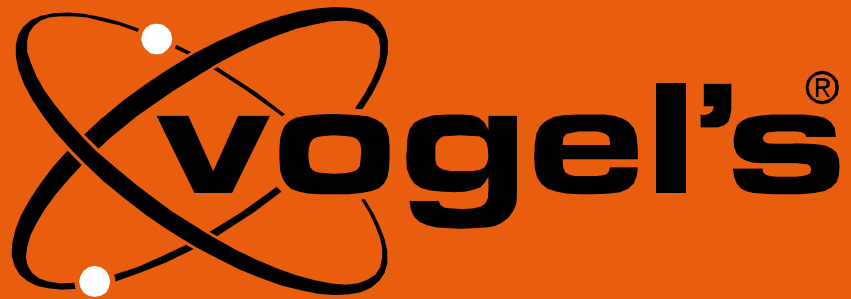
(B) Subject to printing errors and technical amendments.
 (NL) Drukfouten en technische wijzigingen voorbehouden.
 (F) Sans réserve de fautes d'impression et de modifications techniques.
 (D) Für Druckfehler übernehmen wir keine Verantwortung.
 Technische Änderungen vorbehalten.
 (E) Reservados errores de imprenta y sujetos a modificaciones.
 (I) Con riserva di modifiche tecniche e di eventuali errori di stampa.
 (N) Nyvairáhibálik és technikai változtatások jogát fenntartjuk.
 (P) Zastrzeżenie sily możliwości wystąpienia błędów drukarskich i zmian technicznych.
 (RU) Возможны ошибки при печати и технические модификации.

More information on: www.vogel.com
 VOGEL'S PRODUCTS BV, HONDORGBAAN 45, 5408 GB EINDHOVEN, THE NETHERLANDS



Logistical information

| Model nr. | Description | Item Nr | Color | On pallet (pcs) | Carton Dimensions wxlxh (mm) | Weight box (kg) | Weight box (lbs) | EAN-13 |
|-----------|-------------------------------------|---------|-------|-----------------|------------------------------|-----------------|------------------|---------------|
| PTA 3101 | PTA 3101 TABLOCK FLOOR STAND | 7493110 | Black | 20 | 360x1060x145 | 6,25 | 13,78 | 8712285334726 |
| PTA 3102 | PTA 3102 TABLOCK TABLE STAND | 7493120 | Black | 120 | 210x395x120 | 1,34 | 2,95 | 8712285334740 |
| PTA 3103 | PTA 3103 TABLOCK WALL / TABLE MOUNT | 7493130 | Black | 567 | 138x133x115 | 0,55 | 1,21 | 8712285335242 |
| PTA 3105 | PTA 3105 TABLOCK TABLE STAND FP | 7493150 | Black | 120 | 210x395x120 | 2,66 | 5,86 | 8712285334764 |



expanding experiences